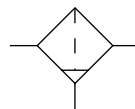


49 Series Air Filter Combination

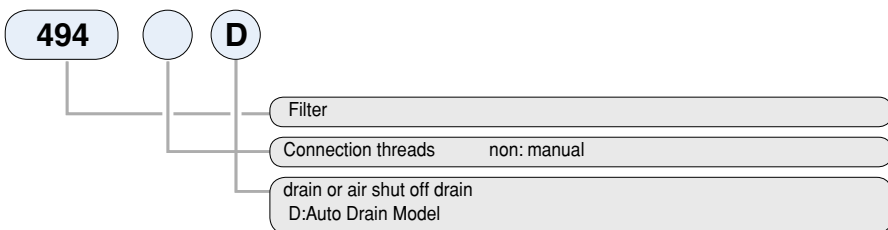
494 series filter



Graphical symbols

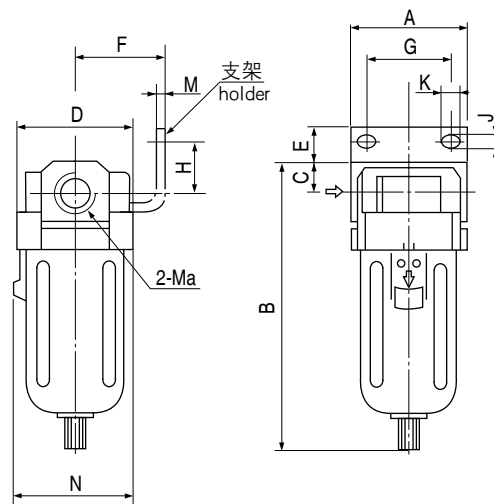


Note for type



Outlook & Dimension

type	Ma	A	B	C	D	E	F	G	H	J	K	M	N
494.11	M5	25	71	7	25	-	-	-	-	-	-	-	26.5
494	G1/8 G1/4	40 / 48	128	11	40	17	30	27	22	5.4	8.4	2	40
494	G3/8 G1/2	70 / 78	173	18	70	17	50	54	26	8.5	10.5	3	73
494	G3/4 G1	95 / 107	274	24	95	23	70	66	35	11	11	3	96



Specification

Max working Pressure	1.0MPa
Working temp.	5 ~ 60°C
Dia of port in the filter element	Normally 50~70µm, for special order 25~40µm, 10~20µm, 5~10µm
Moisture separation effectiveness	≥80%

Flow rate

m³/h (L/min)

Connection threads	G1/8 ~ G1/4	G3/8 ~ G1/2	G3/4 ~ G1
passage dia (mm)	6 ~ 8	10 ~ 15	20 ~ 25
Pressure input (MPa)	when filtering is 50~70µm, pressure drop ΔP=0.1MPa, flow rate		
0.1	25 (415)	90 (1500)	160 (2665)
0.25	42 (700)	150 (2500)	300 (5000)
0.4	55 (915)	200 (3330)	380 (6330)
0.6	70 (1165)	240 (4000)	450 (7500)
0.8	90 (1500)	300 (5000)	550 (9165)
1.0	115 (1915)	380 (6330)	660 (11000)

With pipeline to the filter one size smaller in diameter, the max flow rate reduces by approx 10%, with filter element one size smaller in diameter, max flow rate reduces by 7%.