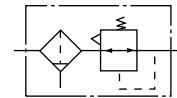


497 series Air filter/pressure-relieving valves



Graphical symbols



Note for type

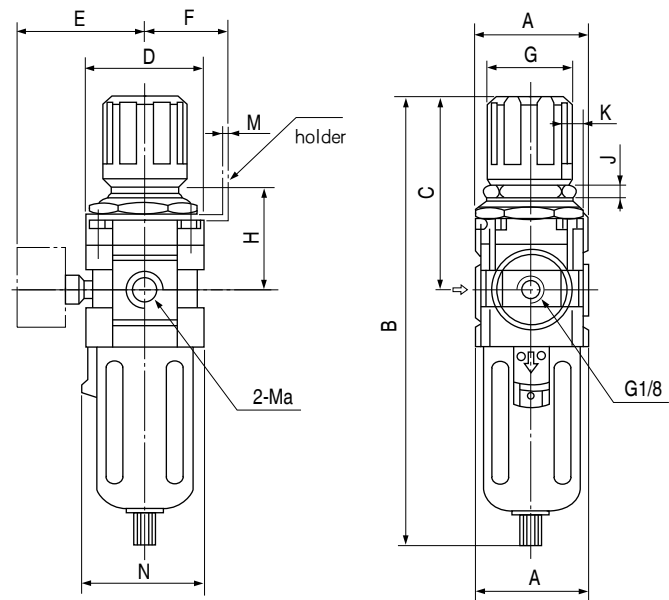
497

D

Combination of air filter and pressure relieving valve

Connection threads

non: manual drain or air shut off drain
D:Auto Drain Model



Outlook & Dimension

type	Ma	A	B	C	D	E	F	G	H	J	K	L	M
497.11	M5	25	71	7	25	26	-	-	-	-	-	-	-
497	G1/8 G1/4	40/48	128	11	40	57	30	27	22	5.4	8.4	2	2
497	G3/8 G1/2	70/78	173	18	70	60.5	50	54	26	8.5	10.5	3	3
497	G3/4 G1	95/107	274	24	95	75.5	70	66	35	11	11	3	3

Specification

Max working Pressure	1.0MPa
Working temp.	5~60°C
adjustable range of pressure	0.05~1.0MPa
Moisture separation effectiveness	≥80%

Flow rate

m³/h (L/min)

Connection threads	G1/8 ~ G1/4	G3/8 ~ G1/2	G3/4 ~ G1
passage dia (mm)	6 ~ 8	10 ~ 15	20 ~ 25
Pressure input P1 (MPa)	Pressure output P2 (MPa)	when filtering is 50~70μm, pressure drop ΔP=0.1MPa, flow rate	
1.0	0.1	15 (250)	37 (615)
1.0	0.25	25 (415)	75 (1250)
1.0	0.4	30 (500)	88 (1465)
1.0	0.6	35 (580)	100 (1665)
1.0	0.8	40 (665)	113 (1880)
			80 (1330)
			110 (1830)
			135 (2250)
			160 (2665)
			190 (2165)

With pipeline to the filter one size smaller in diameter, the flow rate reduces by approx 10%, with filter element pore dia one size smaller, flow rate reduces by 7%.