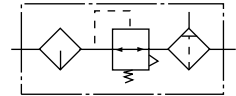


### 499 series Two-in-one piece for air supply treatment



#### Graphical symbols



#### Note for type

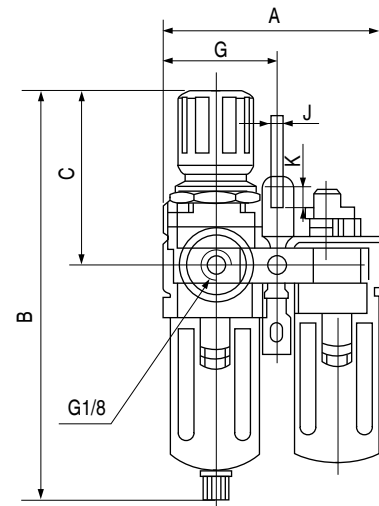
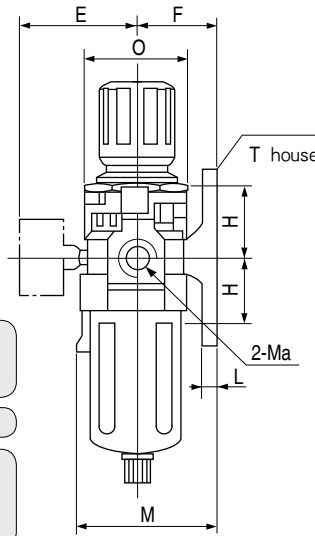
499

D

Combination of pressure relieving valve and oil atomizer

Connection threads

non: manual drain or air shut off drain  
D: Auto Drain Model



#### Outlook & Dimension

type	Ma	A	B	C	D	E	F	G	H	J	K	L	M
499.111	M5	58	111.5	47.5	25	26	25	29	20	5	8	5	38.5
499	G1/8 G1/4	90/98	195	78	40	57	30	45	24	5.5	8.5	5	50
499	G3/8 G1/2	154/162	201	112	70	60.5	50	77	40	9	13	7	88
499	G3/4 G1	197/208	295	170	95	75.5	70	102.5	50	12	16	10	117.5

#### Specification

Max working Pressure	1.0MPa
Working temp.	5 ~ 60°C
adjustable range of pressure	0.05 ~ 1.0MPa
Moisture separation effectiveness	≥80%

#### Flow rate

m<sup>3</sup>/h(L/min)

Connection threads	G1/8 ~ G1/4	G3/8 ~ G1/2	G3/4 ~ G1
通径 passage dia (mm)	6 ~ 8	10 ~ 15	20 ~ 25
Pressure input P1 (MPa)	Pressure output P2 (MPa)	when filtering is 50~70μm, pressure drop ΔP=0.1MPa, flow rate	
1.0	0.1	13 (215)	70 (1165)
1.0	0.25	21 (350)	100 (1665)
1.0	0.4	25 (415)	117 (1950)
1.0	0.6	30 (500)	135 (2250)
1.0	0.8	37 (615)	165 (2750)

# With the pipeline to the two-in-one piece one size smaller in diameter, flow rate reduces by approx 10%. With filter element pore dia one size smaller, flow rate reduces 7%.