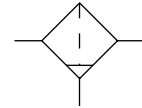


39 Series Air Filter Combination

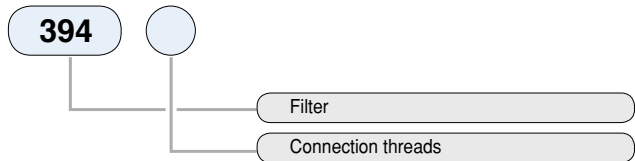
394 series Filter



Graphical symbols

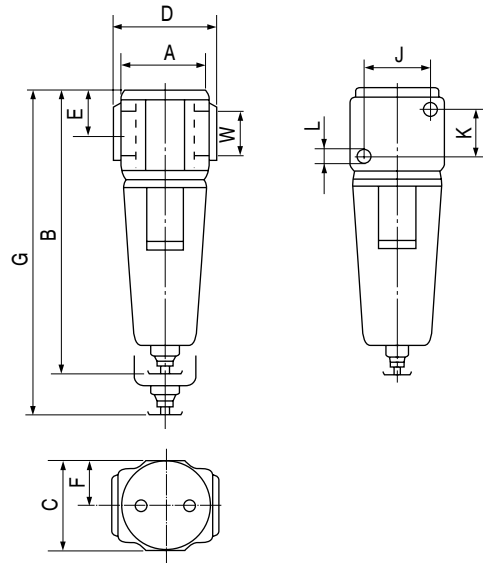


Note for type



Outlook & Dimension

type	W	A	B	C	D	E	F	G	J	K	L	weight
394.21	G1/8	40	135	40	48	20	20	160	20	20	4.8	0.31
394.22	G1/4	40	135	40	40	20	20	160	20	20	4.8	0.3
394.35	G3/8	60	187	60	68	30	30	227	35	35	5.7	0.96
394.36	G1/2	60	187	60	60	30	30	227	35	35	5.7	0.94
394.48	G3/4	80	240	80	92	40	40	290	48	48	7	1.05
394.49	G1	80	240	80	90	40	40	290	48	48	7	1.00



Specification

Max working Pressure	1.0MPa
Working temp.	5~60°C
Dia of port in the filter element	Normally 50~70μm, for special order 24~40μm, 10~20μm, 5~10μm
Moisture separation effectiveness	≥80%

Flow rate

m³/h (L/min)

Connection threads	G1/8~G1/4	G3/8~G1/2	G3/4~G1
passage dia (mm)	6~8	10~15	20~25
Pressure input (MPa)	when filtering is 50~70μm, pressure drop ΔP=0.1MPa, flow rate		
0.1	25 (415)	90 (1500)	160 (2665)
0.25	42 (700)	150 (2500)	300 (5000)
0.4	55 (915)	200 (3330)	380 (6330)
0.6	70 (1165)	240 (4000)	450 (7500)
1.0	90 (1500)	300 (5000)	550 (9165)

With pipeline to the filter one size smaller in diameter, the max flow rate reduces by approx 10%, with filter element one size smaller in diameter, max flow rate reduces by 7%.