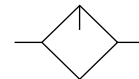


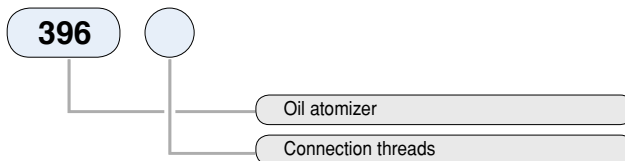
### 396 series Oil atomizer



#### Graphical symbols

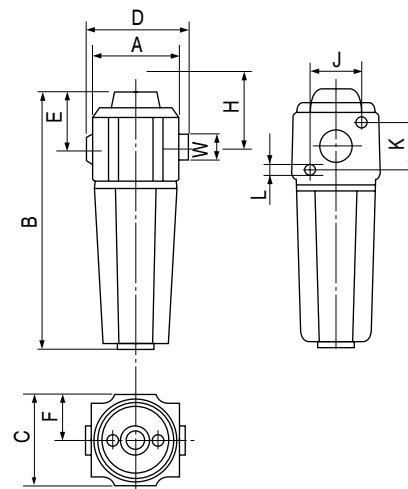


#### Note for type



#### Outlook & Dimension

type	W	A	B	C	D	E	F	H	J	K	L	(Kg) weight
396.21	G1/8	40	130	40	48	30	20	38	20	20	4.8	0.27
396.22	G1/4	40	130	40	40	30	20	38	20	20	4.8	0.26
396.35	G3/8	60	180	60	68	42	30	52	35	35	5.7	0.90
396.36	G1/2	60	180	60	60	42	30	52	35	35	5.7	0.88
396.48	G3/4	80	240	80	92	55	40	67	48	48	7	1.03
396.49	G1	80	240	80	80	55	40	67	48	48	7	0.98



#### Specification

Max working Pressure	1.0MPa
Working temp.	5~60°C

#### Flow rate

m<sup>3</sup>/h (L/min)

Connection threads	G1/8~G1/4	G3/8~G1/2	G3/4~G1
passage dia (mm)	6~8	10~15	20~25
Pressure input P1 (MPa)	Min: At 10 drops/min minimum flow rate; Max: when pressure drop ΔP=0.1MPa, Max flow rate Min / Max		
0.1	2.5 / 20 (40 / 330)	1.5/80 (25 / 1330)	8.5 / 210 (140 / 3500)
0.25	3.5 / 35 (60 / 580)	2.5/120 (40 / 2000)	9.2 / 240 (150 / 4000)
0.4	4 / 50 (65 / 830)	3/170 (50 / 2830)	10 / 265 (165 / 4415)
0.6	5 / 60 (80 / 1000)	4 / 220 (65 / 3665)	11 / 295 (180 / 4920)
1	7 / 80 (115 / 1330)	6 / 290 (100 / 4830)	13 / 350 (215 / 5830)

# With pipeline to the atomizer one size smaller in diameter, max flow rate reduces by approx 10%